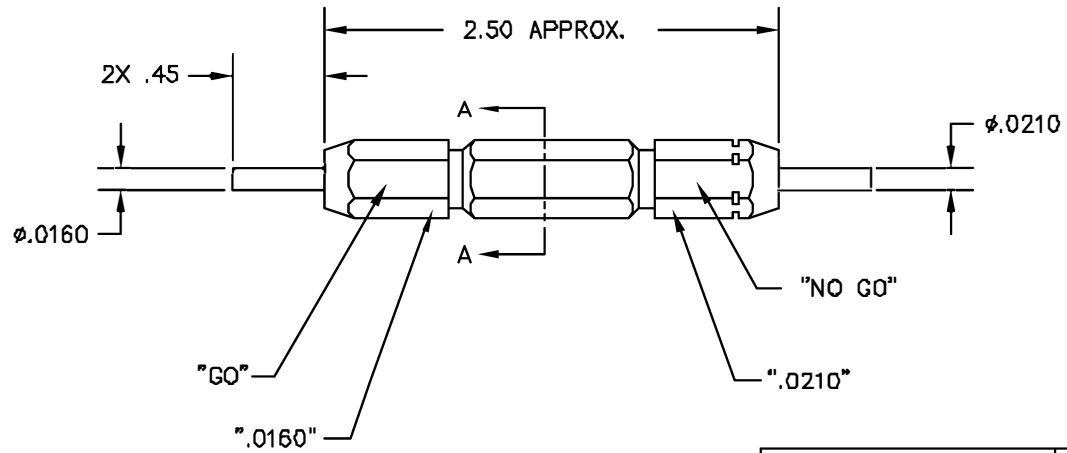
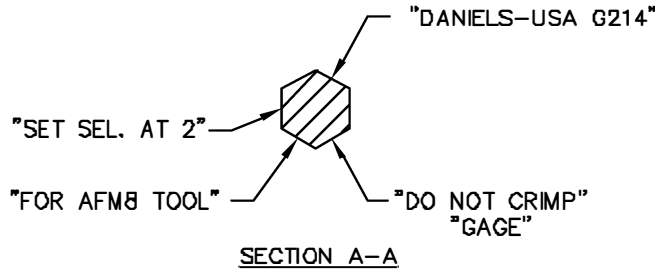


REVISIONS				
REV. SYM.	E.C.O. NUMBER	DESCRIPTION	BY DATE	APP'D DATE
1		ORIGINAL RELEASE	JWH 4/25/00	RRR 4/25/00



**UNCONTROLLED DOCUMENT
WILL NOT BE UPDATED**

RESTRICTED & CONFIDENTIAL CONFIDENTIAL PROPERTY OF DANIELS MANUFACTURING CORP. NOT TO BE DISCLOSED TO OTHERS, REPRODUCED OR USED FOR ANY OTHER PURPOSE, EXCEPT AS AUTHORIZED IN WRITING BY DANIELS MANUFACTURING. MUST BE RETURNED TO DANIELS MANUFACTURING CORP. ON COMPLETION OF ORDER OR OTHER PURPOSE FOR WHICH Lent.	MATERIAL	ITEM	PART NO.	QTY.	DESCRIPTION/REMARKS		
	HEAT TREAT	DRN:	J. JOYCE	DATE	4/25/00		
		CHK'D:	RRR	DATE	4/25/00		
	FINISH	APPR:	DATE	DMC DANIELS MANUFACTURING CORP. ORLANDO, FLORIDA GAGE 11851			
APPR:		DATE					
DO NOT SCALE DRAWING		NOTE: THIS DRAWING IS AN OUTLINE DRAWING OF THE RESPECTIVE DMC PART NUMBER INDICATED. ACTUAL DMC PART NUMBER IS DRAWING NUMBER WITHOUT THE "-ENV" SUFFIX.		TITLE GO/NO-GO GAGE (2ND STEP AFM8) ENVELOPE DRAWING			
		WHERE USED	SIZE	SCALE	CAD P/N	SHEET	OF
			B	NTS	G214-ENV	1	1
		POSTING	DMC NO.		G214-ENV	REV.	
						1	